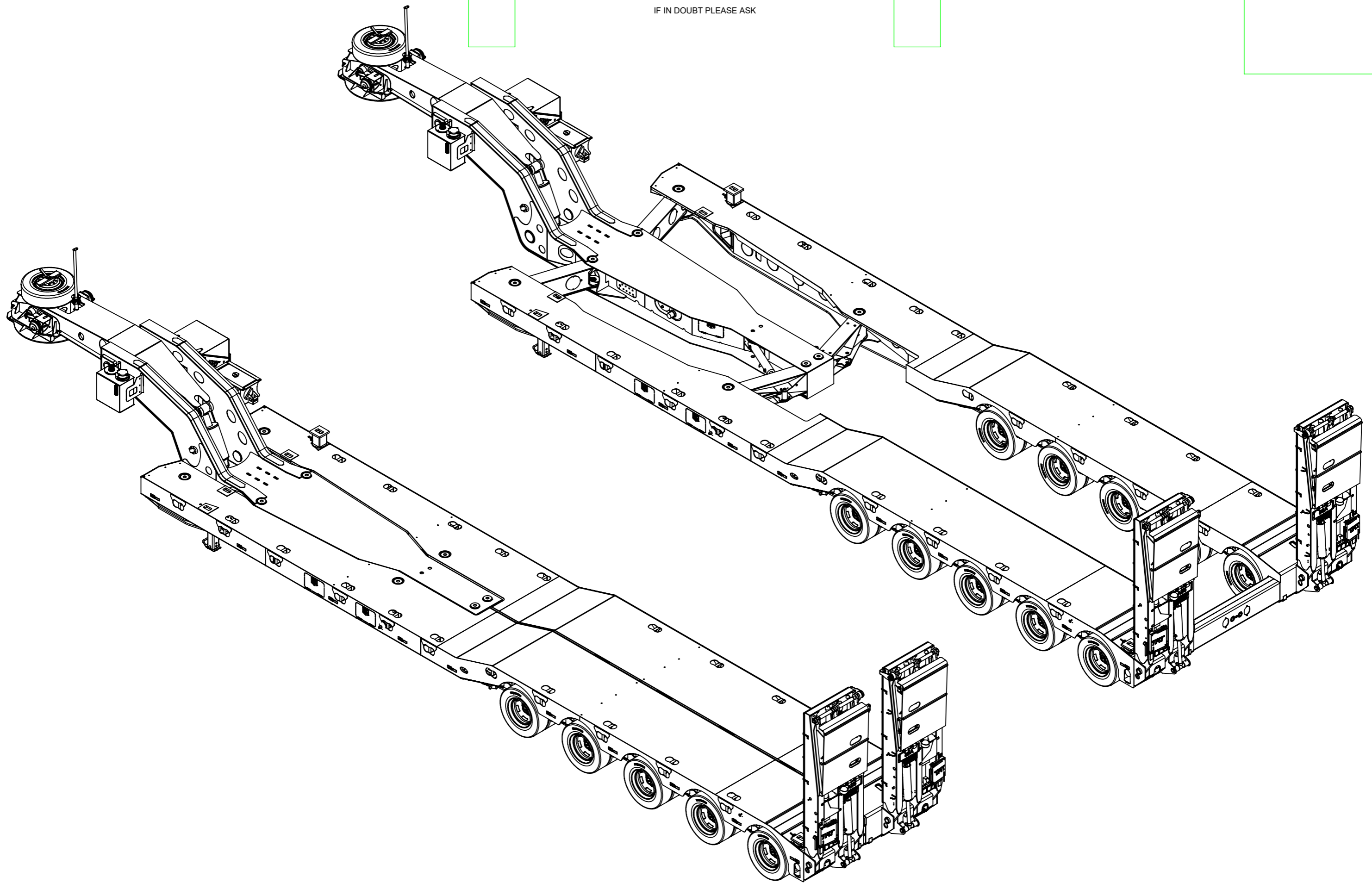
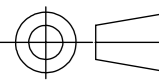


IF IN DOUBT PLEASE ASK




TOLERANCE : ± 0.5mm UNLESS OTHERWISE STATED
WELDING: ALL INFORMATION SHALL COMPLY WITH NZ/AS 1554:2000 PT 1 CATEGORY SP UNLESS OTHERWISE STATED AND SHALL BE WELDED TO A QUALIFIED PROCEDURE, BY A WELDER QUALIFIED FOR THE APPROPRIATE POSITION AND SUPERVISED BY A WELDING SUPERVISOR
 WIRE BUFF ALL STEEL COMPONENTS PRIOR TO WELDING
 THIS DRAWING IS © COPYRIGHT AND IS THE PROPERTY OF TIDD ROSS TODD LTD.
 IT IS FURNISHED TO YOU FOR CONFIDENTIAL INFORMATION PURPOSES ONLY AND IS NOT TO BE DISCLOSED TO ANYONE ELSE OR USED FOR MANUFACTURING PURPOSES WITHOUT THE EXPRESS WRITTEN PERMISSION OF TIDD ROSS TODD LTD.

REV	DATE	COMMENT	NAME

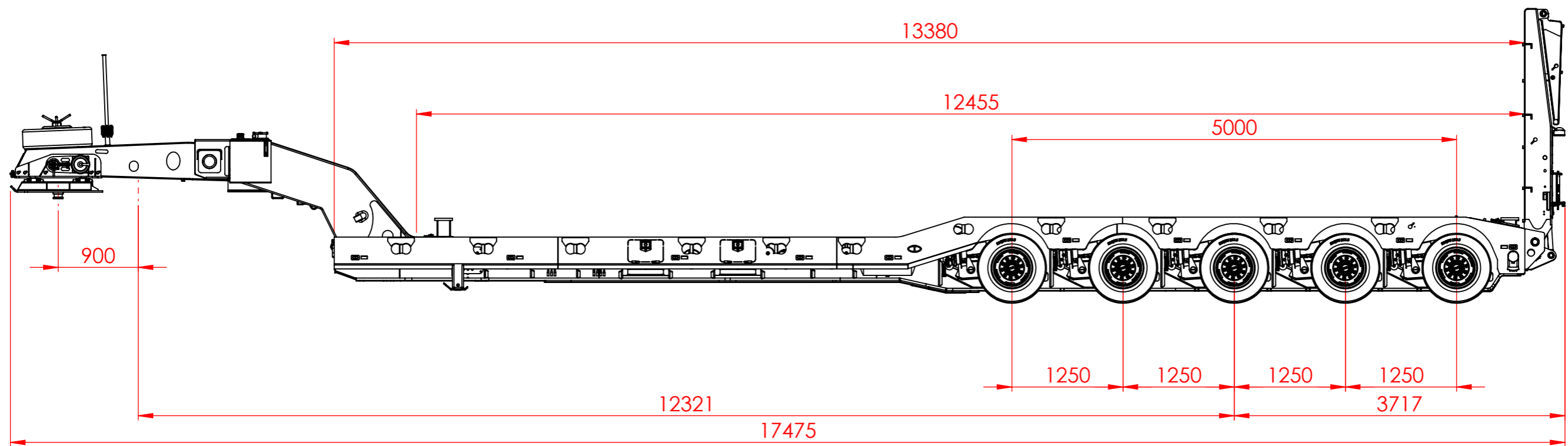
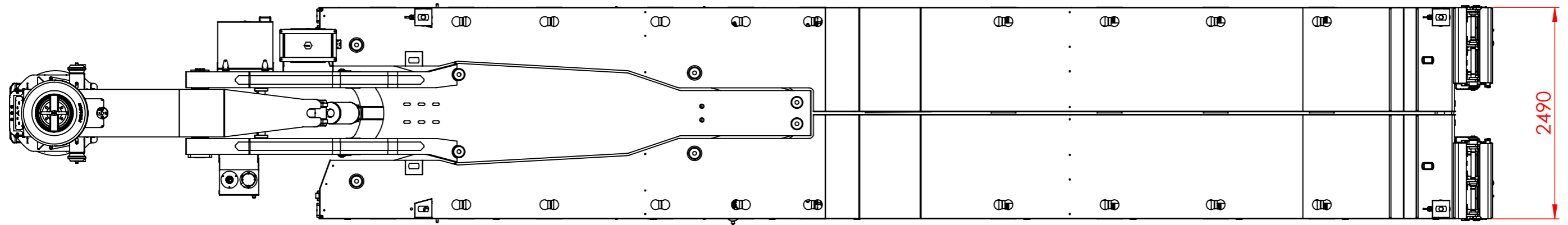


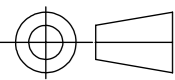
48 Maui Street
 Hamilton
 New Zealand
 Phone +64 7 849 4839
 Fax +64 7 849 3628
 Email : trt@trt.co.nz
 ISO 9001

	NAME	DATE
DRAWN	JC	17/06/21
CHK'D	-	-
APPV'D	-	-

TITLE: 5x8 SWING WING DROPWELL LOW LOADER		REVISION A	
SHEET 1 OF 3		DWG NO. 413-001-W	
DO NOT SCALE DRAWINGS IN mm's	STATUS - M	SCALE:1:50	

IF IN DOUBT PLEASE ASK




TOLERANCE : ± 0.5mm UNLESS OTHERWISE STATED
 WIRE BUFF ALL STEEL COMPONENTS PRIOR TO WELDING
WELDING: ALL INFORMATION SHALL COMPLY WITH NZ/AS 1554:2000 PT 1 CATEGORY SP UNLESS OTHERWISE STATED AND SHALL BE WELDED TO A QUALIFIED PROCEDURE, BY A WELDER QUALIFIED FOR THE APPROPRIATE POSITION AND SUPERVISED BY A WELDING SUPERVISOR
 THIS DRAWING IS © COPYRIGHT AND IS THE PROPERTY OF TIDD ROSS TODD LTD. IT IS FURNISHED TO YOU FOR CONFIDENTIAL INFORMATION PURPOSES ONLY AND IS NOT TO BE DISCLOSED TO ANYONE ELSE OR USED FOR MANUFACTURING PURPOSES WITHOUT THE EXPRESS WRITTEN PERMISSION OF TIDD ROSS TODD LTD.

REV	DATE	COMMENT	NAME

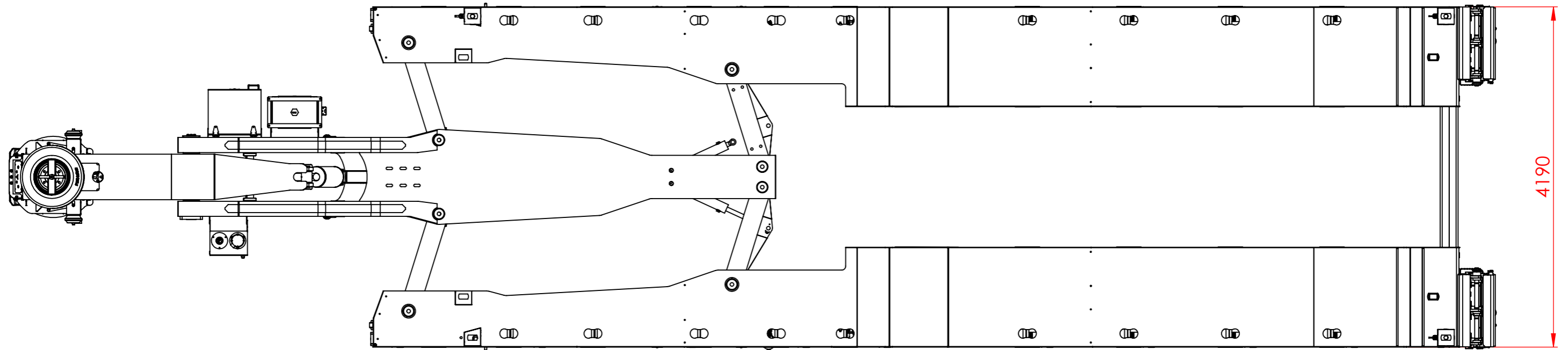


48 Maui Street
Hamilton
New Zealand
 Phone +64 7 849 4839
 Fax +64 7 849 3628
 Email : trt@trt.co.nz
 ISO 9001

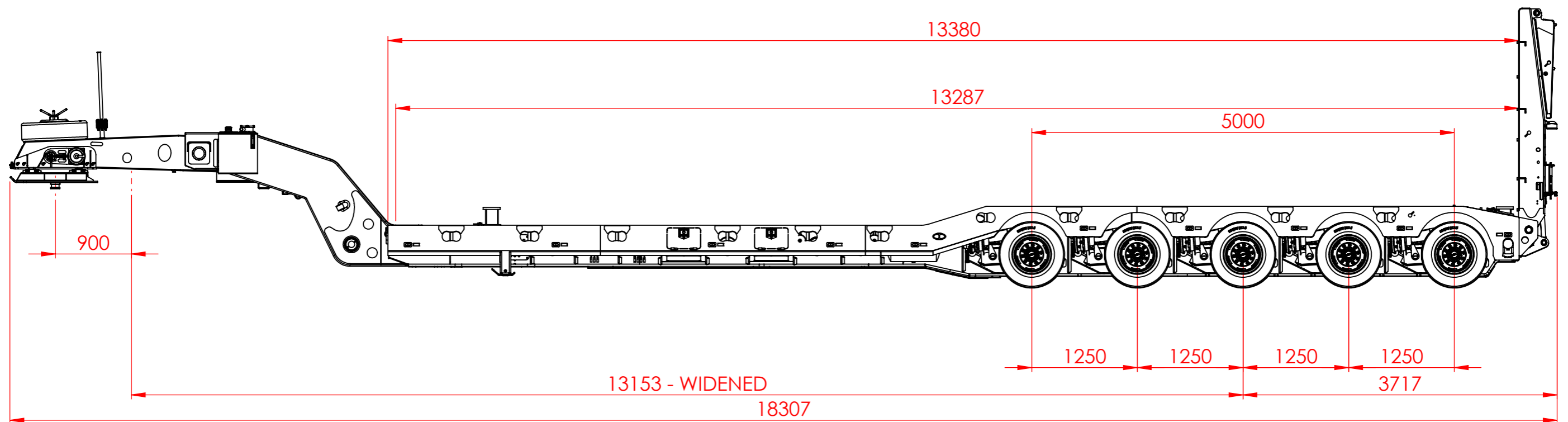
	NAME	DATE
DRAWN	JC	17/06/21
CHK'D	-	-
APPV'D	-	-

TITLE: 5x8 SWING WING DROPWELL LOW LOADER		SHEET 2 OF 3 SCALE:1:50	DWG NO. 413-001-W	REVISION A
DO NOT SCALE DRAWINGS IN mm's		STATUS - M	REVISION	

IF IN DOUBT PLEASE ASK



4190



13380

13287

5000

900

13153 - WIDENED

18307

1250

1250

1250

1250

3717

TOLERANCE : ± 0.5mm UNLESS OTHERWISE STATED
WELDING: ALL INFORMATION SHALL COMPLY WITH NZ/AS 1554:2000 PT 1 CATEGORY SP UNLESS OTHERWISE STATED AND SHALL BE WELDED TO A QUALIFIED PROCEDURE, BY A WELDER QUALIFIED FOR THE APPROPRIATE POSITION AND SUPERVISED BY A WELDING SUPERVISOR

THIS DRAWING IS © COPYRIGHT AND IS THE PROPERTY OF TIDD ROSS TODD LTD. IT IS FURNISHED TO YOU FOR CONFIDENTIAL INFORMATION PURPOSES ONLY AND IS NOT TO BE DISCLOSED TO ANYONE ELSE OR USED FOR MANUFACTURING PURPOSES WITHOUT THE EXPRESS WRITTEN PERMISSION OF TIDD ROSS TODD LTD.

REV	DATE	COMMENT	NAME



48 Maui Street
 Hamilton
 New Zealand
 Phone +64 7 849 4839
 Fax +64 7 849 3628
 Email : trt@trt.co.nz
 ISO 9001

	NAME	DATE
DRAWN	JC	17/06/21
CHK'D	-	-
APPV'D	-	-

TITLE:		REVISION	
5x8 SWING WING DROPPWELL LOW LOADER		A	
SHEET 3 OF 3	DWG NO. 413-001-W	SCALE:1:50	
DO NOT SCALE DRAWINGS IN mm's	STATUS - M		